

ACCESSORIES LIST

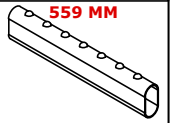
<p>ACCESSORIE NO : 001 MİNİFİX MİL 6 MM</p> <p>36 ADET</p>	<p>ACCESSORIE NO : 002 TİTUS MİNİFİX GÖVDE</p> <p>48 ADET</p>	<p>ACCESSORIE NO : 317 10'LUK MİNİFİX MİL</p> <p>12 ADET</p>	<p>ACCESSORIE NO : 004 Ø8x30 KAVELA</p> <p>48 ADET</p>	<p>ACCESSORIE NO : 011 ARKALIK SABİTLEME 3.5x25 S.VİDASI</p> <p>20 ADET</p>
<p>ACCESSORIE NO : 005 RAFİX MİL (7.5)</p> <p>4 ADET</p>	<p>ACCESSORIE NO : 406 PLS. RAF PİMİ EURO VİDALI</p> <p>18 ADET</p>	<p>ACCESSORIE NO : 119 6.3*9 MM EURO VİDA</p> <p>26 ADET</p>	<p>ACCESSORIE NO : 351 TANDEM RAY 400 (SAMET)</p> <p>2 TAKIM</p>	<p>ACCESSORIE NO : 012 ASKI FLANŞI</p> <p>4 ADET</p>
<p>ACCESSORIE NO : 184 FRENLİ Y.D.B. MENTEŞE</p> <p>3 ADET</p>	<p>ACCESSORIE NO : 023 Y.D.B. MENTEŞE</p> <p>3 ADET</p>	<p>ACCESSORIE NO : 092 4*18 MM S. VİDASI</p> <p>24 ADET</p>	<p>ACCESSORIE NO : 020 MİNİFİX TAPA BEYAZ</p> <p>24 ADET</p>	<p>ACCESSORIE NO : 524 ARDIÇ AYAK</p> <p>5 ADET</p>
	<p>ACCESSORIE NO : 533 3,9*28 MM PLS.VİDA</p> <p>4 ADET</p>	<p>ACCESSORIE NO : 519 Ø40 K002 KULP</p> <p>4 ADET</p>	<p>ACCESSORIE NO : 095 4*30 MM S. VİDASI</p> <p>15 ADET</p>	<p>ACCESSORIE NO : 299 M6*25 VİDA</p> <p>5 ADET</p>

YEDEK AKSESUAR SİPARİŞLERİNİ RESME BAKARAK VERİNİZ. (Öm:ACCESSORIE.NO:008 - RAFİX MİL - 1 Ad.)
PLEASE ORDER THE ACCESSORIES ACCORDING TO THE REFERENCE NUMBER ON THE DRAWING(EXAMPLE ACCESSORIE NO-008 RAFİX MİL 1.PCS.)

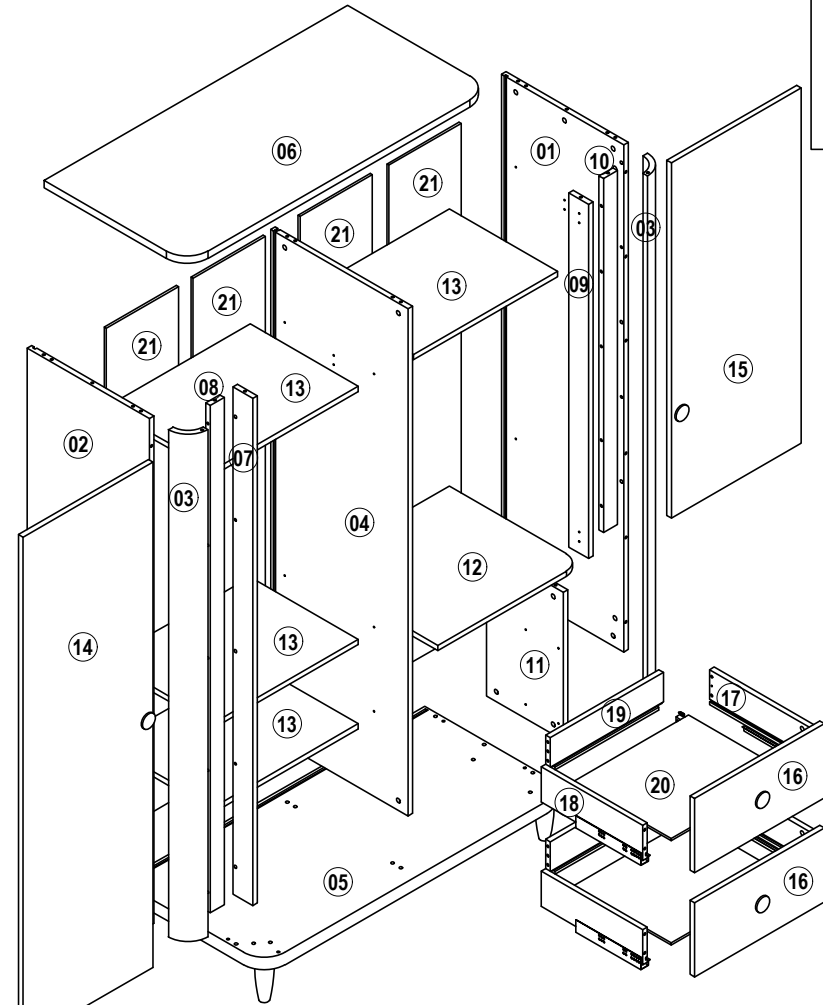
ACCESSORIE NO : 268

İŞIKLI ASKI BORUSU

559 MM



2 ADET

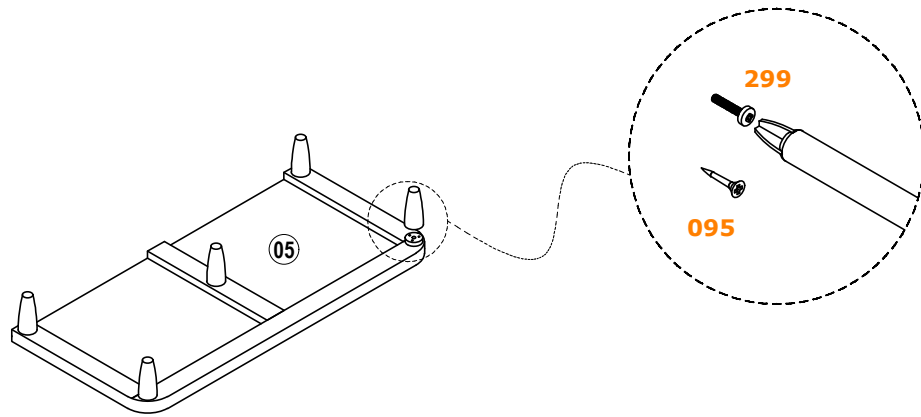


FR-002

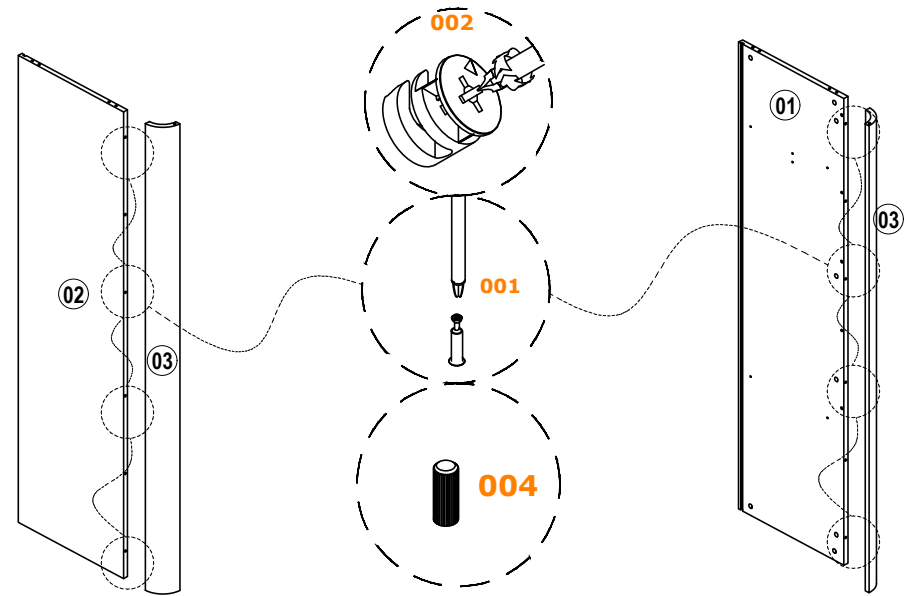
NO	ADET/PCS	NO	ADET/PCS	NO	ADET/PCS
01	1	11	1	21	4
02	1	12	1		
03	2	13	4		
04	1	14	1		
05	1	15	1		
06	1	16	2		
07	1	17	2		
08	1	18	2		
09	1	19	2		
10	1	20	2		

YEDEK PARÇA SİPARİŞLERİNİ RESME BAKARAK PARÇA NUMARASINA GÖRE VERİNİZ
PLEASE ORDER THE SPARE PARTS ACCORDING TO THE REFERENCE NUMBER ON THE DRAWING

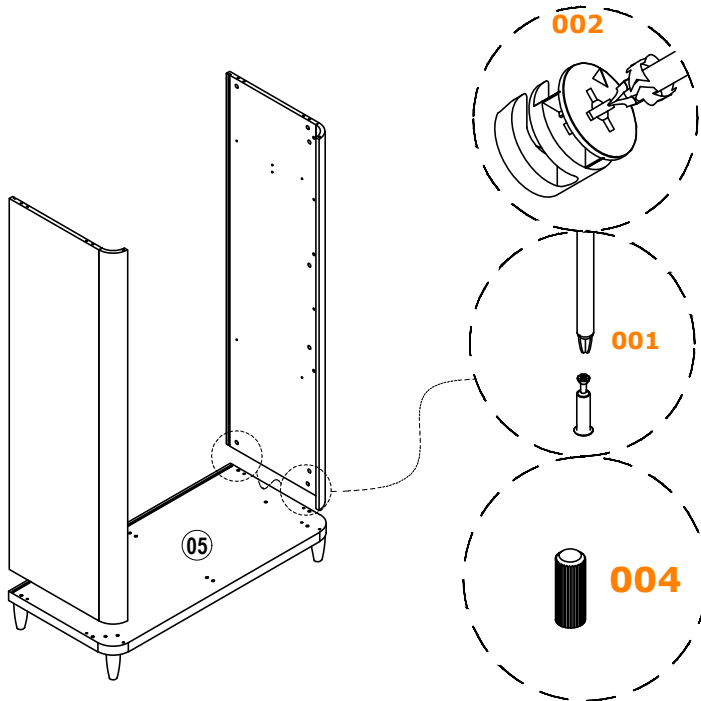
INSTALLATION STEPS



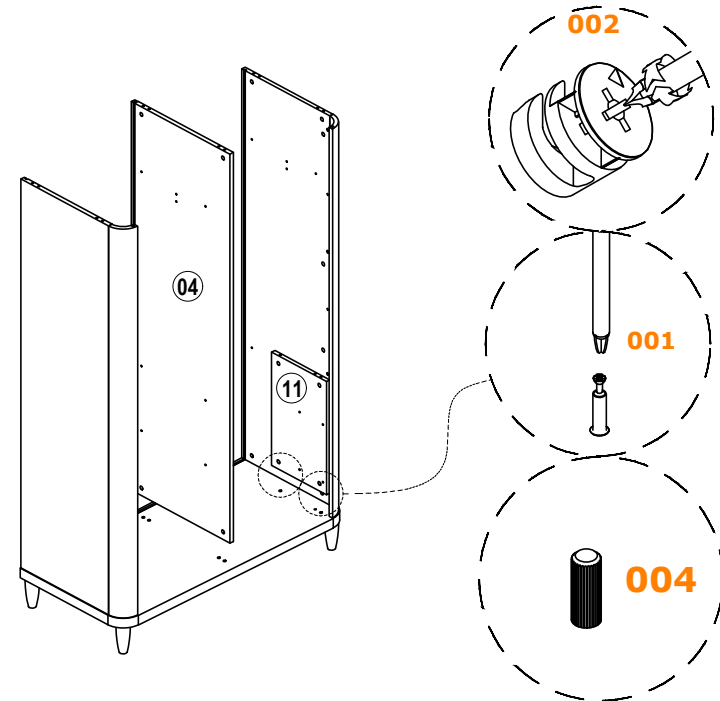
1



2

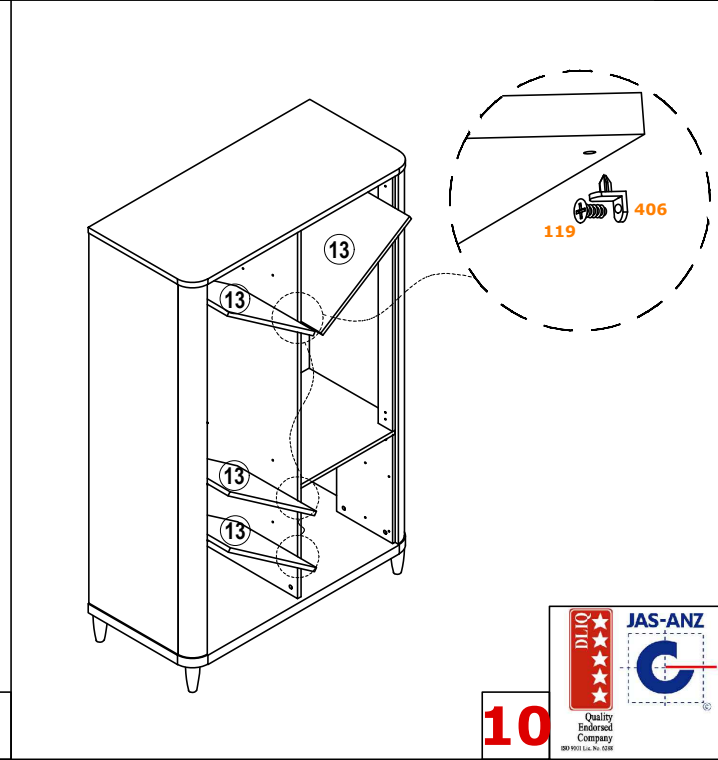
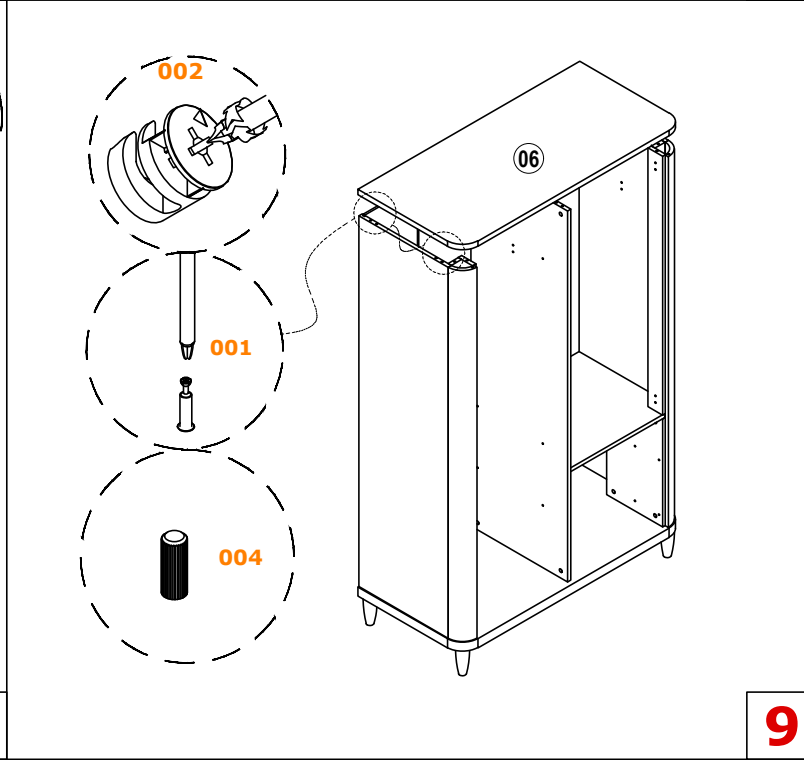
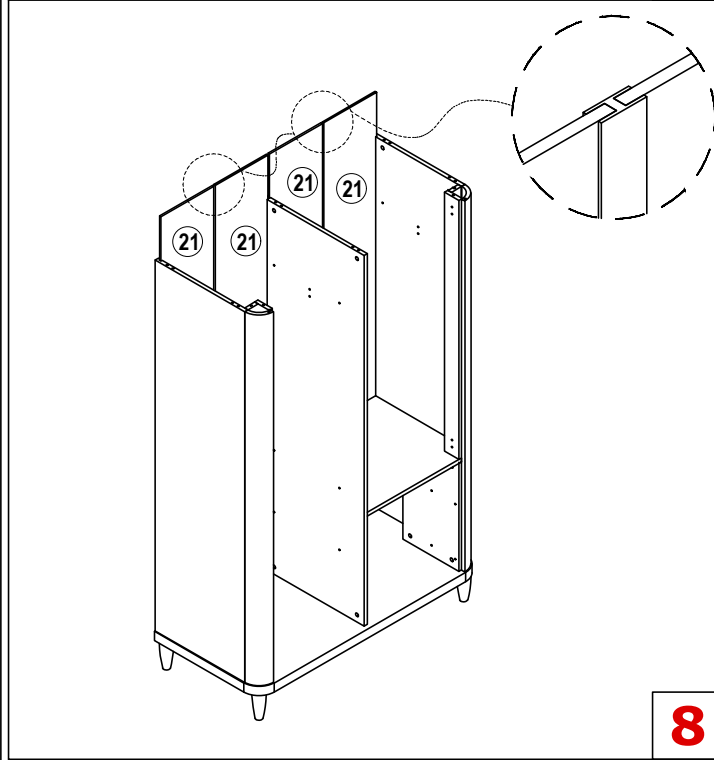
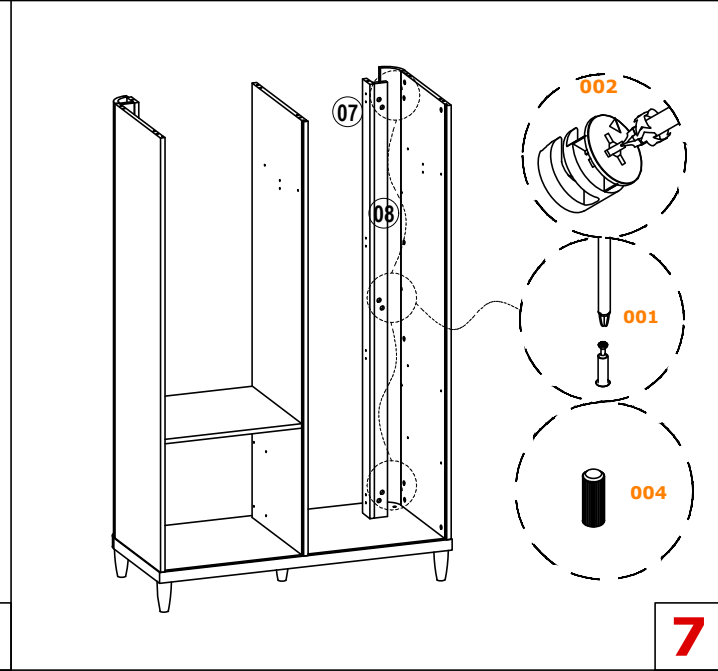
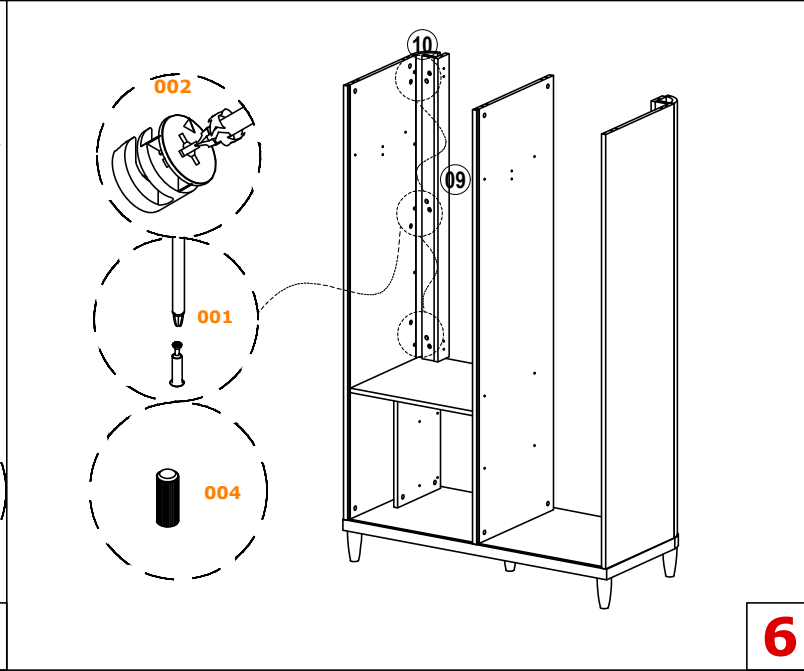
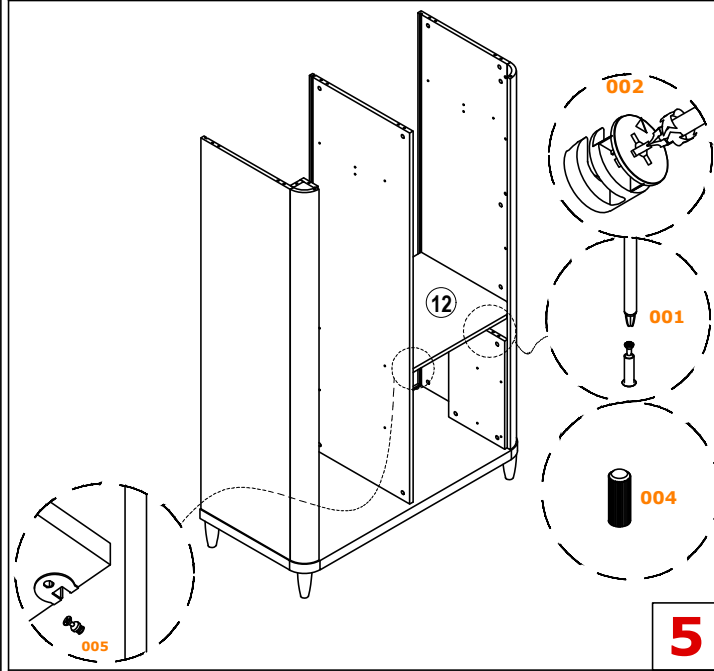


3



4

INSTALLATION STEPS



INSTALLATION STEPS

11

10

